



K 系列滑柱型电磁阀气控阀 (三位五通) K Series 5/3 Solenoid Valve



产品结构为滑柱式, 气动压力低换向灵敏。适用于气缸要求有中间位置的气动控制孔之中。它的中间状态有三种: 中封式、中泄式、中压式。
The construction is slippery pillar type with low pneumatic pressure and sensitive switch. It is suitable to apply it in the pneumatic control hole in the middle of cylinder.

订购码 Ordering code

K35H	D	-	8		符号 Symbol
规格 K 系列三位五通滑柱式气动换向阀 Specification K series 5/3 way solenoid stop valve	控制方式 D: 双电控 K: 双气控 Control methods D: Double electronic control K: Double pneumatic control		接管口径 Port size 6: G 1/8" (M10 × 1) 8: G 1/4" (M12 × 1.25) 10: G 3/8" (M16 × 1.5) 15: G 1/2" (M20 × 1.5) 20: G 3/4" (M27 × 2) 25: G 1/4" (M33 × 2)	空白: 中封式 Y: 中泄式 P: 中压式 Blank: mid-seal method mid-discharge method mid-pressure method	

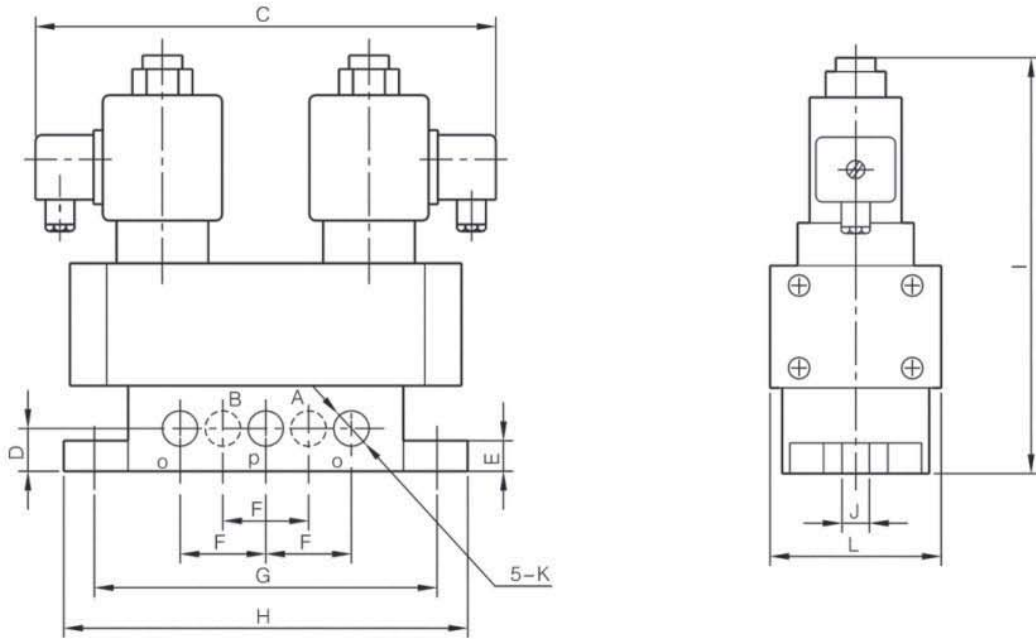
规格 Specifications

参数 Parameter	订购码 Ordering code	K35H D ₁ - 6 Q ₁ - 6Y 6P	K35H D ₁ - 8 Q ₁ - 8Y 8P	K35H D ₁ - 10 Q ₁ - 10Y 10P	K35H D ₁ - 15 Q ₁ - 15Y 15P	K35H D ₁ - 20 Q ₁ - 20Y 20P	K35H D ₁ - 25 Q ₁ - 25Y 25P
公称通径 mm Nominal diameter		6	8	10	15	20	25
工作压力范围 Mpa Working pressure range		0.2~0.8				0.15~0.8	
泄漏量 cm ³ /min Leakage rate		50		120		250	
换向时间 S Reversing time		≤0.06		≤0.08		≤0.12	
最高允许换向频率 Hz Max. Commutating frequency		≥8		≥6		≥4	
环境温度 °C Ambient temperature		-5~50					
介质温度 °C Fluid temperature		-5~50					
流通能力 S值 mm ³ Negotiability		10	20	40	60	120	190
寿命 千次 / Thousands Life		≥1500					
电源电压 V Power consumption		电控: AC:220,110,36 DC:48,24,12 电压被动允许为额定值的+10%~-15% 气控无本项参数 Electronic: AC:220,110,36 DC:48,24,12 Voltage is allowed to set as rated voltage+10%~-15% Null parameter in pneumatics					
电磁先导阀公称通径 mm Solenoid result valve nominal diameter		1.2		2		3	

K 系列滑柱型电磁阀气控阀 (二位五通)

K Series 5/3 Solenoid Valve

尺寸 Dimensions



型号 Model	接管口径 Port size	C	D	E	F	G	H	I	J	L
K35HD ₁ -6□	G1/8" (M10×1)	153	14	10	28	112	130	136	9	56
K35HD ₁ -8□	G1/4" (M12×1.25)									
K35HD ₁ -10□	G3/8" (M16×1.5)	184	19	14	38	143	164	139	9	74
K35HD ₁ -15□	G1/2" (M20×1.5)									
K35HD ₁ -20□	G3/4" (M27×2)	254	25	15	60	202	234	229	11	112
K35HD ₁ -25□	G1" (M33×2)									